

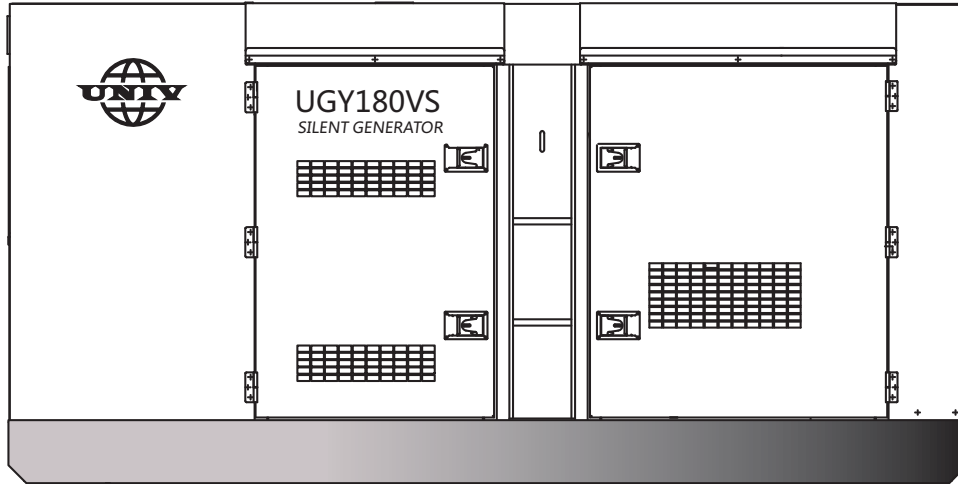


# UGY180VS

## UNIVPOWER SILENT SERIES

### POWER OUTPUT

Prime Rating — 129 kW (161 kVA)  
 Standby Rating — 142 kW (177 kVA)  
 3-Phase, 60 Hertz, 0.8 PF



### STANDARD FEATURES

- Heavy duty, 4-cycle, variable speed fan, diesel engine provides maximum reliability.
- Brushless alternator reduces service and maintenance requirements. Class H protection.
  - Open delta alternator design provides virtually unlimited excitation for maximum motor starting capability.
  - Automatic voltage regulator (AVR) provides precise regulation.
- Electronic governor system maintains frequency to  $\pm 0.25\%$ .
- Full load acceptance of standby nameplate rating in one step
- Soundproof, weather resistant, steel housing provides operation at 75dB (A) at 7meters. Fully lockable enclosure allows safety operation. Outdoor operation available.
- Internal fuel tank with direct observing glass, and fuel level meter display on control panel  
 E-coat and powder coat paint provides durability and weather protection.
- Digital engine gauges including oil pressure, water temperature, battery volts, engine speed, and fuel level.
- Analog generator instrumentation including Ampere meter,
- Voltage meter, frequency meter, ammeter phase selector switch, voltmeter phase selector switch. Analog generator instrumentation and regulator adjustment.
- Deepsea/Comap professional generator controller.
  - High visibility LCD display with heated screen and alphanumeric readout.
  - IP65 Protection standard, operational temperature range of -40° to 85° C.
  - Modbus interface for gauge panel and expansion options.
  - DPF cleaning cycle indication.
  - Log record for inspection
- Automatic safety shutdown system monitors the water temperature, engine oil pressure, low coolant, low DEF, overspeed, and overcrank. Warning lights indicate abnormal conditions.
- Fuel/water separator. Removes condensation from fuel for extended engine life.
- Emergency stop switch — when manually activated, shuts down in any emergency.

### UNIVPOWER SILENT SERIES

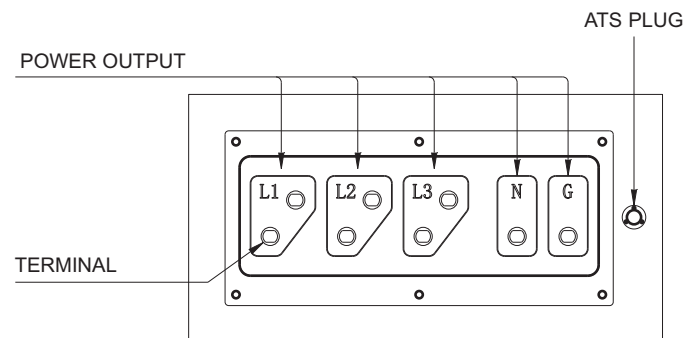
#### UNIV POWER DECIBEL LEVELS

Revolving field, self ventilated weatherproof Normal conversation allows substantially lower operating noise levels than competitive designs. UNIVGensets good for home, construction sites, residential, hospital, etc.

- 90 — Subway / truck traffic
- 80 — Average city traffic  
 → UNIVGenset at 7m
- 70 — Inside car at 60 mph
- 60 — Air conditioner at 6m
- 50 — Normal conversation

**75.0**  
DECIBELS

### GENERATOR OUTPUT PANEL





# UGY180VS

## UNIVPOWER SILENT SERIES

### SPECIFICATIONS

Generator Specifications	
Model	Revolving field, self-ventilated weatherproof
Armature Connection	Star with Neutral
Phase	3
Standby Output	142KW (177KVA)
Prime Output	129KW (161 KVA)
Power Factor	0.8
Voltage Regulation (No load to full load)	±0.5%
Generator RPM	1800
Frequency	60 Hz
No. of Poles	4
Excitation	Brushless with AVR
Frequency Regulation: No Load to Full Load	Isochronous under varying loads from no load to 100% rated load
Frequency Regulation: Steady State	±0.25% of mean value for constant loads from no load to full load.
Insulation	Class H
Sound Level dB(A) Full load at 7M	75

Amperage	
Rated Voltage	Maximum Amps
3Ø Volt 127/220	465.5 Amps
3Ø Volt 254/440	232.7 Amps
Main Line Circuit Breaker Rating Over Current Relay Trip Set Point 440V Mode Only	400 Amps

Fuel System	
Fuel Tank Capacity	76.7 gallons (290 liters)
Fuel Consumption	L / h
At full load	40.2
At 3/4 load	25.3
At 1/2 load	17.7
At 1/4 load	10.7

Control system	
Controller Brand	Deepsea
Model	DSE4520
Module	Manual/Auto start/stop module
Standard function	Engine control
	Generator monitoring
	Generator protection
	Specification
Display	Frequency
	Battery voltage
	Running hour
Warning/shutdown	under/over voltage
	under/over speed
	under/over frequency
	Low oil pressure
	High water temperature
Communication port	USB

Engine Specifications	
Make / Model	VOLVO / TAD731GE
Emissions	EU II
Starting System	Electric
Design	4-cycle, water cooled, direct injection, natural intake
Displacement	7.15 liters
No. cylinders	6
Bore x Stroke	108 x 130 mm
Gross Engine Power Output	210 hp (154 kW)
Compression Ratio	18 : 1
Engine Speed	1800 rpm
Overspeed Limit	2070 rpm
Oil Capacity	4.49 gallons (17 liters)
Battery	24V 100Ah x 2

Alternator	
Alternator Brand	Stamford/Mecc alte
Alternator Model	UCI274E/ECP34 2M4C
Excitation	Brushless, Self-Excited system
Capacity(KVA)	160kva
Power(KW)	128kw
Efficiency(%)	90%
Insulation class	Class H
Protection class	Ip23
Steady state voltage regulation	±1%
Voltage control	AVR

### WARRANTY\*

#### Generator

12 months from date of purchase or 1000 hours (whichever occurs first).

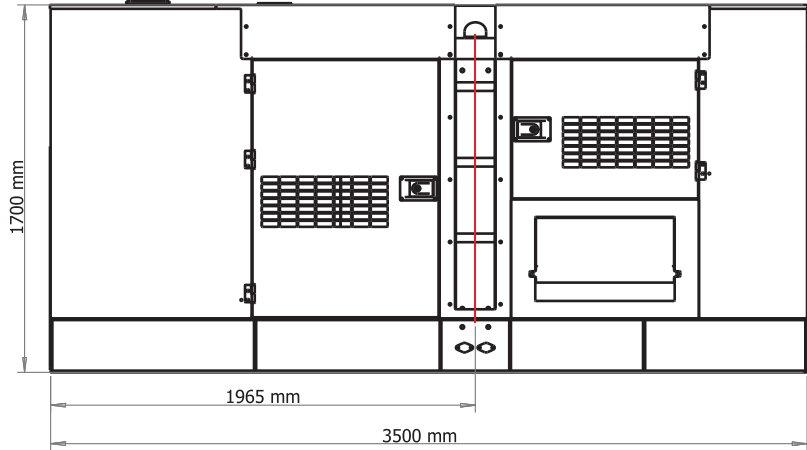
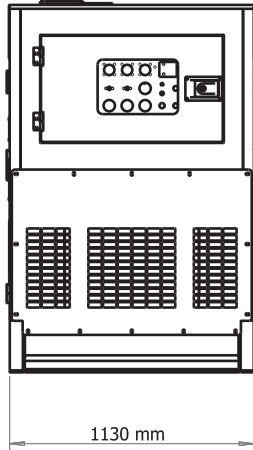
### NOTICE

Enough Air flow is extremely important to Generator operation. Improper connection can cause electrocution and/or property damage. Do not connect to any electrical system except through an approved device. Specifications are subject to change without notice.



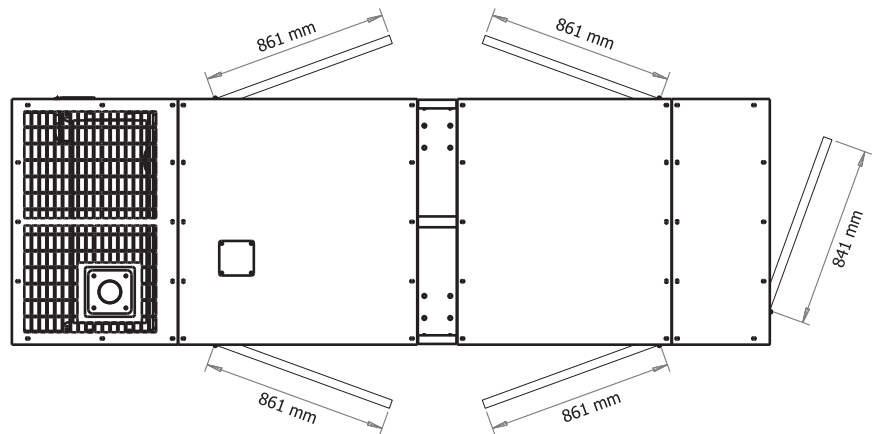
# UGY180VS

## UNIVPOWER SILENT SERIES



### Weight

Dry Weight	1,204 lbs. (2,650 kg)
Wet Weight	1,336 lbs. (2,940 kg)
Max. Lifting Point capacity	2,663 lbs. (5,860 kg)



Manufactured by  
**Zhejiang Universal Machinery Co.,Ltd**  
Add:No 18-9 Nanshan Road, Qujiang Zone,  
Quzhou city, Zhejiang Province, CN  
Tel:0086-570-3377022/3377023  
Fax:0086-570-3377086  
Website:www.univpower.com